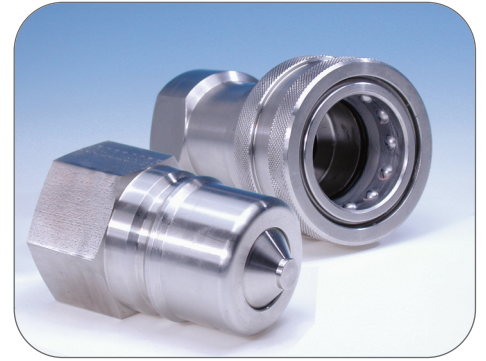


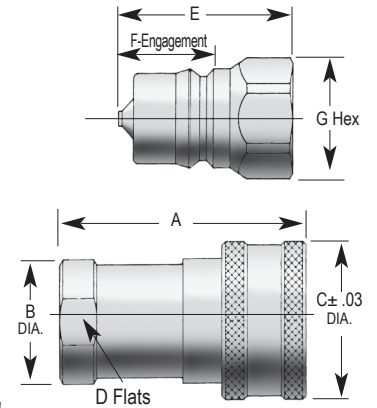
Series NT72
Double Shut-Off Valve Couplings

- High Flow - Low pressure drop
- Designed to meet ASME Section III Classes 2, 3 & 6
- Sizes 1/4" to 2"
- Proven ball-lock mechanism provides positive connections
- Poppet style double shut-off
- Half the pressure drop and twice the flow rate of the NQCH Series



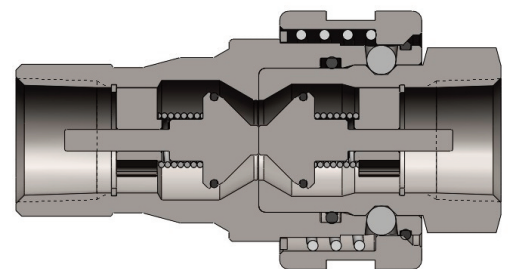
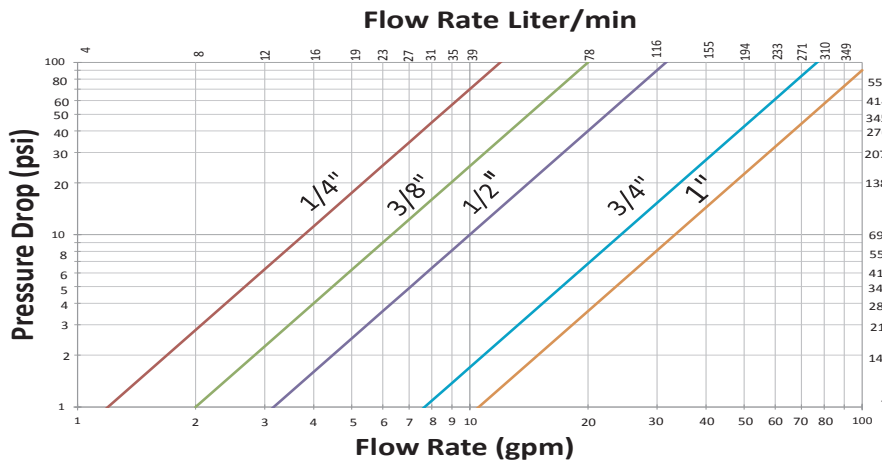
Dimensional Information

SIZE (in)	A		B		C		D		E		F		G	
	in	mm	in	mm	in	mm	in	mm	in	mm	in	mm	in	mm
1/4	2.25	57	0.88	22	1.12	28	0.75	19	1.51	38	0.95	24	0.75	19
3/8	2.57	65	1.13	29	1.38	35	1.00	25	1.74	44	1.13	29	0.88	22
1/2	2.95	75	1.37	35	1.75	44	1.25	32	2.01	51	1.27	32	1.13	29
3/4	3.48	88	1.75	44	2.13	54	1.50	38	2.33	59	1.64	42	1.38	35
1	4.14	105	2.00	51	2.50	64	1.75	44	2.81	71	1.87	48	1.63	41
1 1/4	4.51	115	2.38	60	2.73	69	2.38	60	4.25	108	1.92	49	2.73	69
1 1/2	4.82	122	2.38	60	3.23	82	2.38	60	4.76	121	2.09	53	3.02	77
2	5.56	141	3.75	95	4.11	104	3.75	95	5.49	139	2.52	64	4.31	109



Pressure Rating

SIZE	Stainless Steel				Brass			
	Working Pressure		Minimum Burst		Working Pressure		Minimum Burst	
	in	psi	bar	psi	bar	psi	bar	psi
1/4	5,500	379	22,000	1,517	3,500	241	14,000	965
3/8	3,500	241	14,000	965	2,500	172	10,000	690
1/2	3,500	241	14,000	965	3,000	207	12,000	827
3/4	3,000	207	12,000	827	2,000	138	8,000	552
1	3,000	207	12,000	827	1,500	103	6,000	414



How to Order

NT72 TYPE	12 SIZE	C COUPLING HALF	S6 MATERIAL	FP END TYPE FITTING	B SEAL	SL OPTIONS
NT72	04= 1/4" 06= 3/8" 08= 1/2" 12= 3/4" 16= 1" 20= 1 1/4" 24= 1 1/2" 32= 2"	C= Coupler N= Nipple DP= Dust Plug DC= Dust Cap	B=Brass S6=SS316	FP= Female NPT XX= Special End	V=Viton B= Buna N E= EPDM	SL= Sleeve Lock

THORBURN FLEX INC
173 Oneida, Pointe-Claire, Quebec
Canada, H9R 1A9
Tel: +1-514-695-8710
Fax: +1-514-695-1321
sales@thorburnflex.com

www.thorburnflex.com